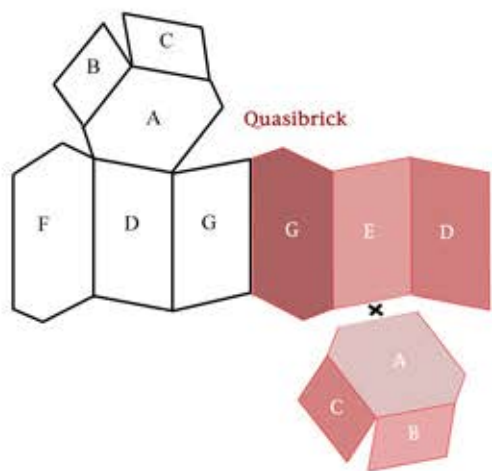
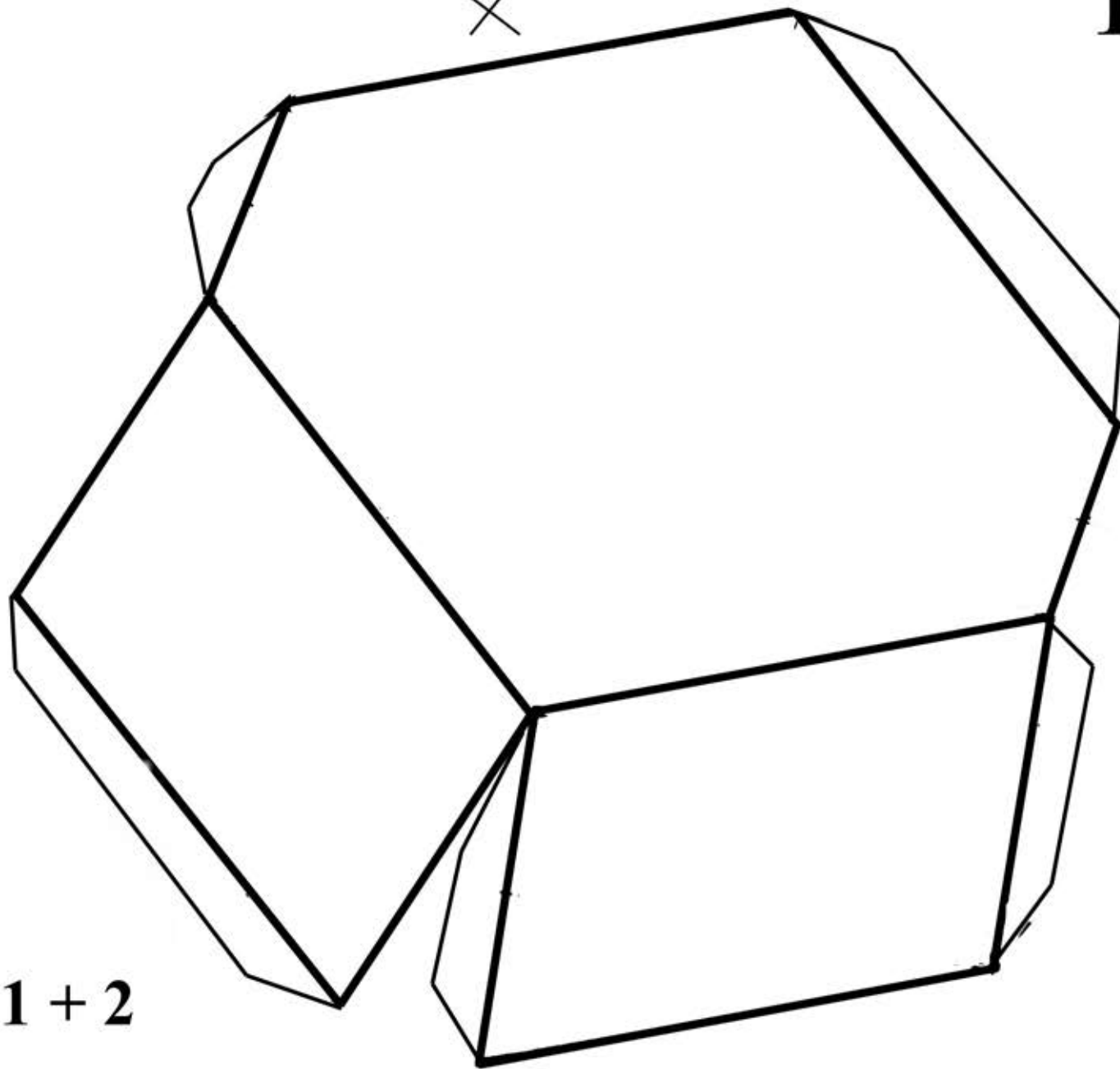




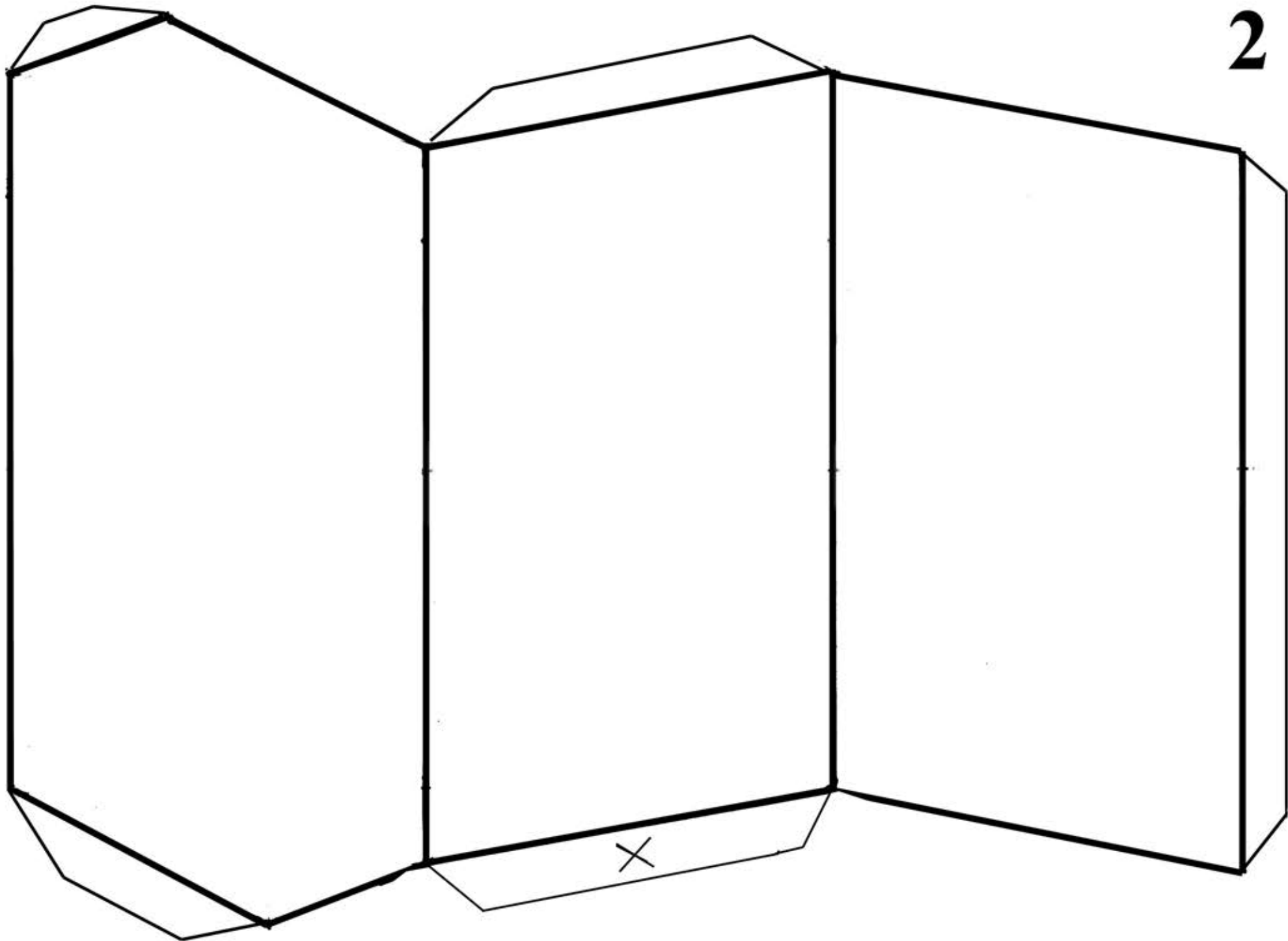
×

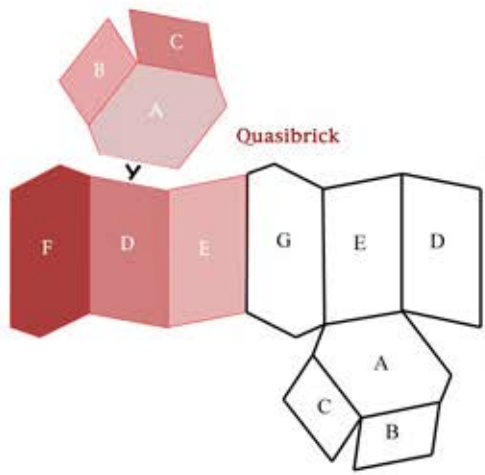
1



Quasibrick

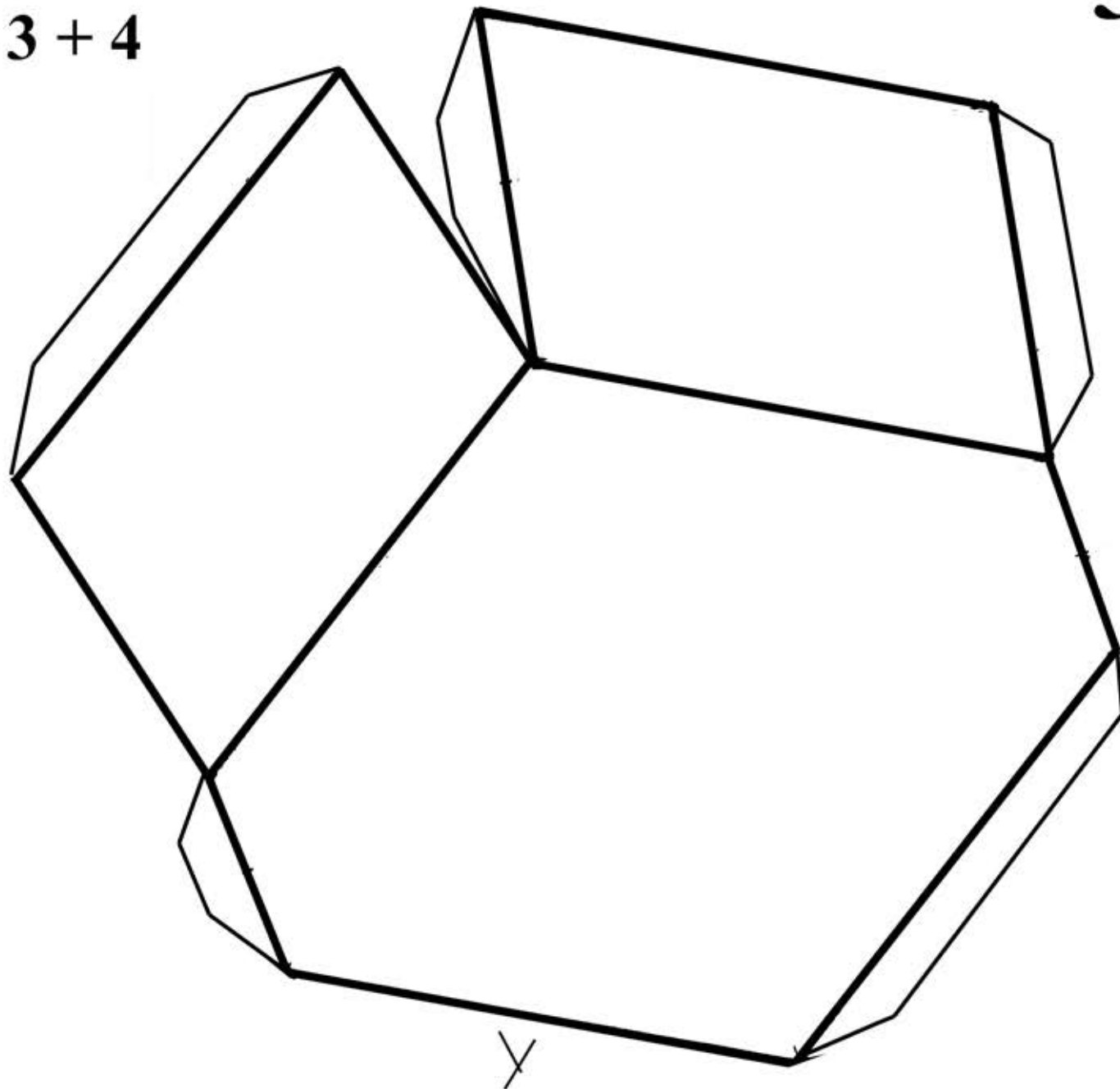
1 + 2





3 + 4

3



4

